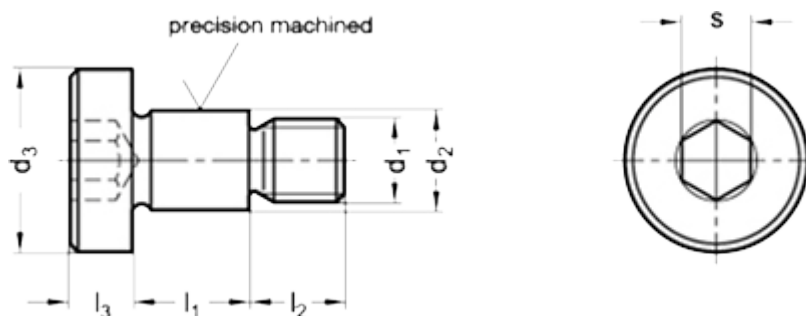


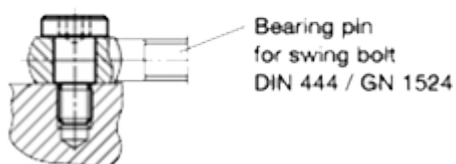
Article number: 207321M101217NI

Description: E+G Shoulder screw
GN 732.1-M10-12-17-NI

Measures



Application example



d_1	= M 10
d_2	= 12 -0.05/-0.08
d_3	= 19
$l_1 + 0.20/+0.13$	= 17
l_2	= 13
l_3	= 6
s	= 6
Weight in (g)	= 29